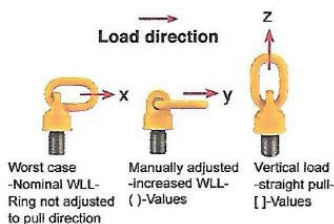
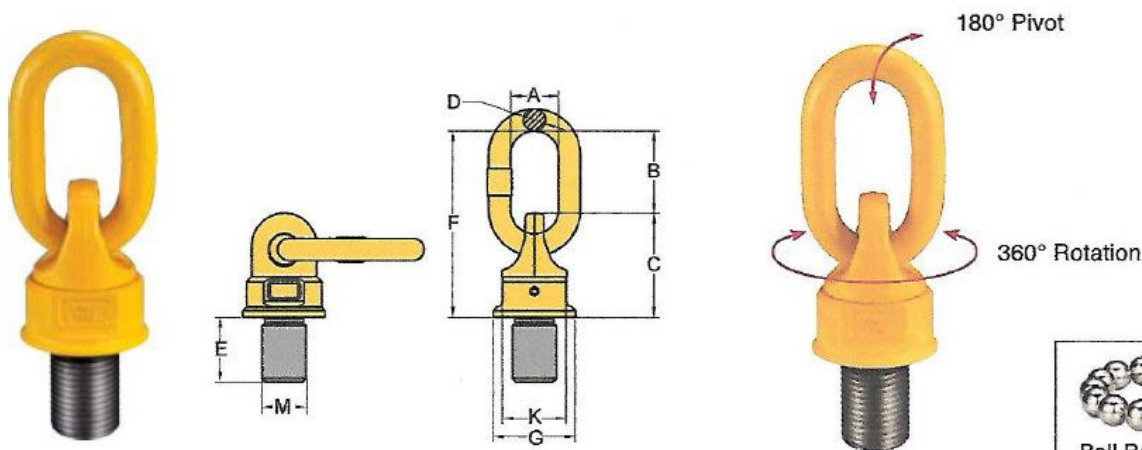




Otočný vázací bod WBO



Working Load Limit tonnes* x (y) [z]	Thread M	Dimensions (mm)								Torque in Nm	N.W. kg
		A	B	C	D	E	F	G	K		
0.3 (0.4) [0.6]	M 8 x 1.25	29	32	40	8	12	72	35	30	10	0.2
0.45 (0.6) [0.9]	M10 x 1.5	29	32	40	8	15	72	35	30	10	0.2
0.6 (0.7) [1.2]	M12 x 1.75	35	50	45	10	18	95	40	36	10	0.3
1.3 (1.5) [2.6]	M16 x 2	38	50	54	13	24	104	46	41	30	0.5
2 (2.5) [4]	M20 x 2.5	38	54	68	13	30	122	62	55	70	1.0
3.5 (4) [7]	M24 x 3	40	66	88	19	36	154	78	70	150	2.2
5 (6) [10]	M30 x 3.5	50	86	120	22	46	206	90	80	350	4.5
8 (10) [15]	M36 x 4	50	86	120	22	55	206	90	80	410	4.6
13 (13) [17]	M42 x 4.5	65	110	122	25	64	235	98	84	550	5.5
14 (16) [18]	M48 x 5	65	110	122	25	73	235	98	84	550	6.1
20 (20) [25]	M52 x 5	70	120	150	32	79	270	120	94	750	10.5
20 (22) [28]	M56 x 5.5	70	120	150	32	85	270	120	94	800	10.7
20 (22) [28]	M64 x 6	70	120	150	32	95	270	120	94	800	11.6
40 (40) [50]	M72 x 6	90	130	210	45	108	340	170	145	1200	30.6
40 (48) [50]	M80 x 6	90	130	210	45	120	340	170	145	1500	31.9
40 (48) [50]	M90 x 6	90	130	210	45	135	340	170	145	2000	33.9

